



HYDRAULIC ROCK BREAKER

SD36



NEW KEY ASSET
FOR ALL JOBSITES

DESIGNED FOR
4 TO 10 TON CARRIERS

POWERFUL,
SAFE AND COMPACT

LANDSCAPING, DEMOLITION,
TRENCHING, CIVIL ENGINEERING,
INSIDE AND OUTSIDE:
VERSATILE AND EFFICIENT

BENEFITS

- **Hydraulic accumulator:** no more regular nitrogen controls and recharges on jobsites.
- **Tie rod free:** less weight and cost, more power and reliability.
- **Made in France:** superior quality steel and manufacturing excellence.
- **Improved soundproofing :** lower noise levels for urban jobsites.
- **Easy handling:** two lifting points to handle the breaker with perfect balance and safety, also acting as hoses protection.
- **Tool changing:** new user friendly, simple, safe and reliable system, with one single retainer.



NEW KEY ASSET FOR ALL JOBSITES

WEIGHT & DIMENSIONS

WEIGHT (KG/LB)

BREAKER	279	615
+ MOUNTED TOOL	304	670
+ MOUNTED ADAPTER PLATE (MIN - MAX)	357 - 396	787 - 873

DIMENSIONS (MM/IN)

A	1,374	54
B	432	17
C	535	21
D	978	39
E	240	9.44
F	270	11
G	47.5	1.87

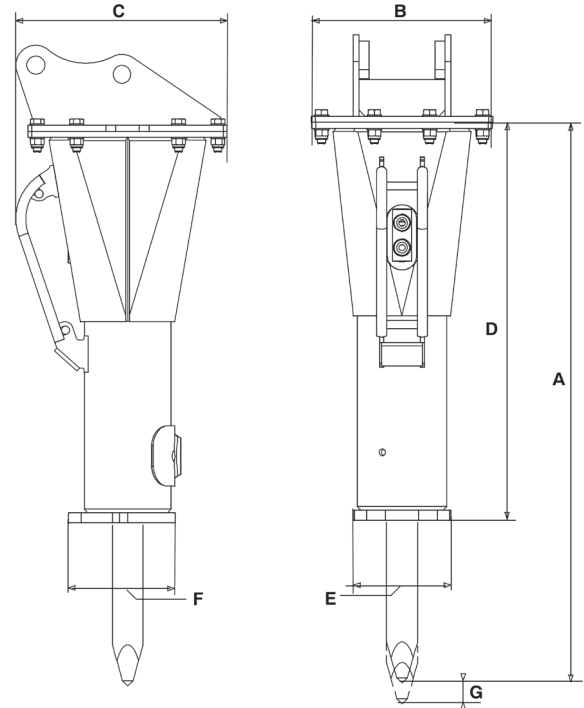
OPERATING INFORMATION

CARRIER WEIGHT RANGE (MIN-MAX, T)	4 - 10	
OIL FLOW (MIN-MAX, L/MIN / GPM)	55 - 100	14.5 - 26.5
MAXIMUM OPERATING PRESSURE (BAR / PSI)	125	1,815
MAXIMUM BACK PRESSURE (BAR / PSI)	20	290
INPUT POWER (KW)	20.8	
STRIKING FREQUENCY (MIN-MAX, BPM)	700 - 1,540	
GUARANTEED NOISE LEVEL (DB LWA)	124	
SOUNDPROOFING	standard	
HOSE PROTECTION	standard	

MAINTENANCE KITS

CPN

LEVEL 1	86639960
LEVEL 2	101112794
LEVEL 3 (+2 WARRANTY YEARS*)	101112795



CONSUMABLES

CPN

GREASE CARTRIDGES (X48)

86799152

OPTIONS

CPN

ADAPTER PLATE

upon request

SPECIAL PAINTING

upon request

TOOLS

DIAMETER (MM / IN)	76 / 2.99	76 / 2.99	76 / 2.99
LENGTH (MM / IN)	709 / 27.9	709 / 27.9	709 / 27.9
WEIGHT (KG / LB)	23 / 51	24 / 53	25 / 55
CPN	86639226	86639218	86641438



The content of this brochure constitutes non-binding information and may be changed at any time without notice. Montabert gives, and the brochure contains, no warranties whatsoever, express or implied. All the contents, including but not limited to text, images, graphics are all subject to copyright and all intellectual property protection. Their use or misuse is strictly prohibited. Montabert brand and logo used herein are the property of Montabert. Nothing contained on this document shall be construed as constituting any commitment by Montabert or as granting any license or right to use any intellectual property. ©2021 Montabert. All rights reserved.

montabert.com

*see warranty conditions

